

HermanMiller

Keyn Chair Group
Disassembly for Recycling Instructions



Table of Contents

1. Work Chair Disassembly	2
2. Side Chair Disassembly	6
3. Work Stool Footring Disassembly.....	10

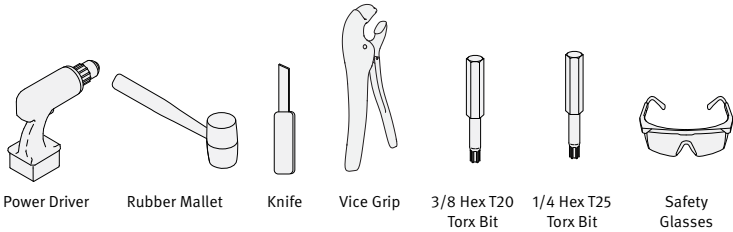
HermanMiller

Keyn 4 Leg Chair Disassembly for Recycling Instructions



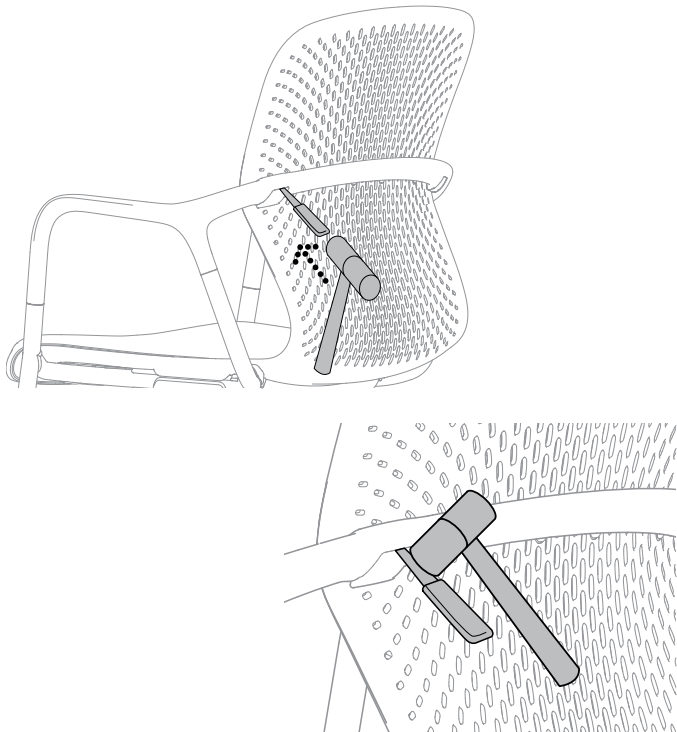
How to recycle your chair.

Tools Required



Step 1

- 1.1 Insert the knife between cradle and retainer using mallet.
- 1.2 Tap the knife to dislodge the retainer.

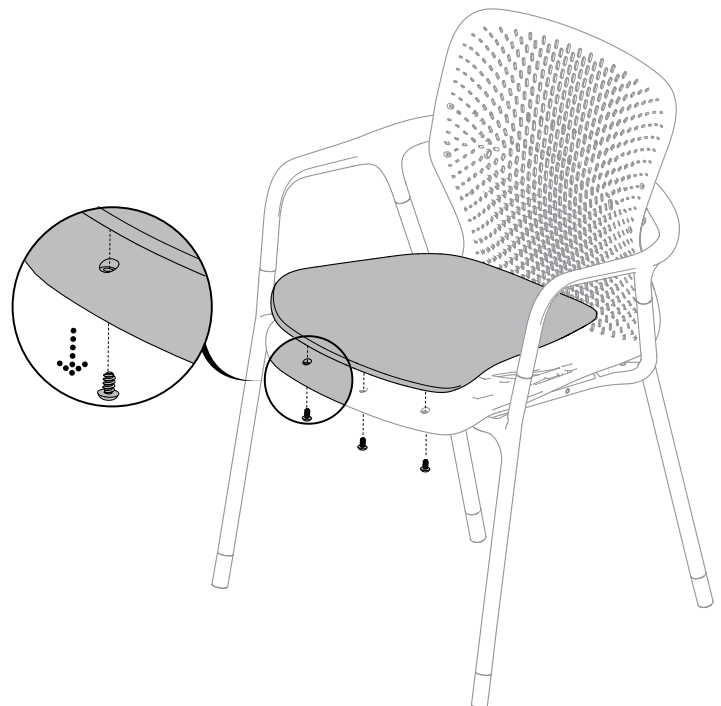


Materials Identification and Segregation:

Where possible, plastic components are marked with ASTM recycling codes. Use these codes to identify material type for recycling. Non marked components should be treated as mixed plastic. Ferrous metals can be identified using a small magnet for recycling. Non-ferrous metals should be separated and recycled separately.

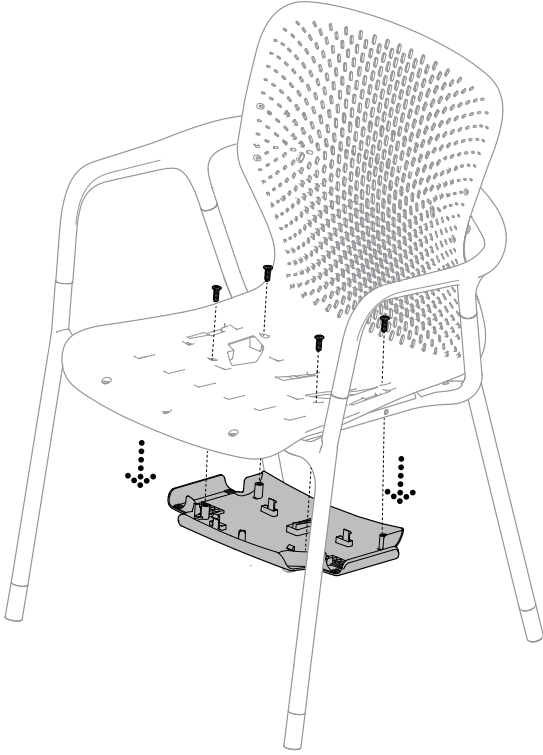
Step 2

- 2.1 Remove the seat cushion using 3/8 hex T20 torx bit.



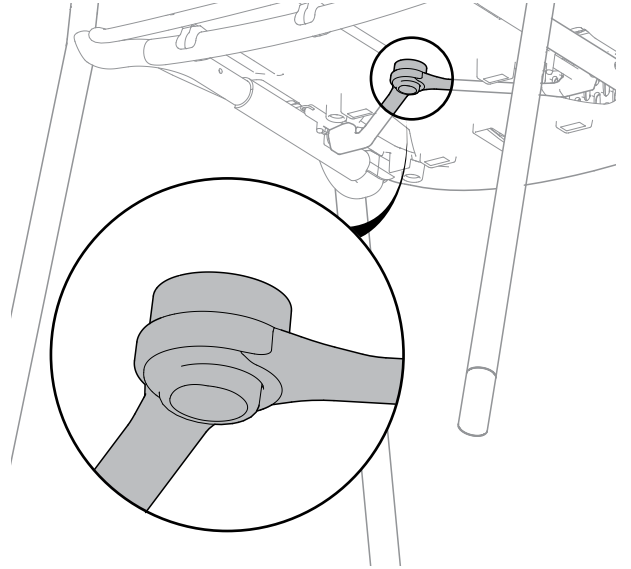
Step 3

3.1 Take out the seat sliding cover using 1/4 hex T25 torx bit.



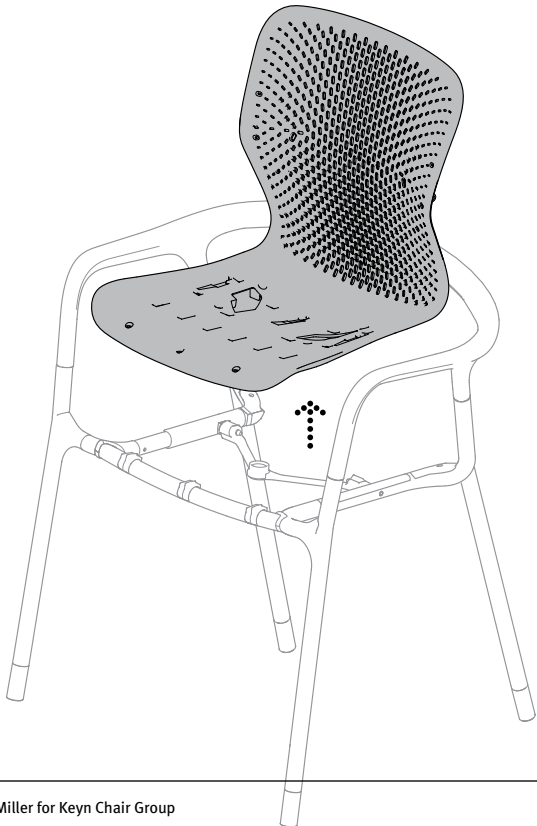
Step 4

4.1 Detach the spring from the seat moulding.



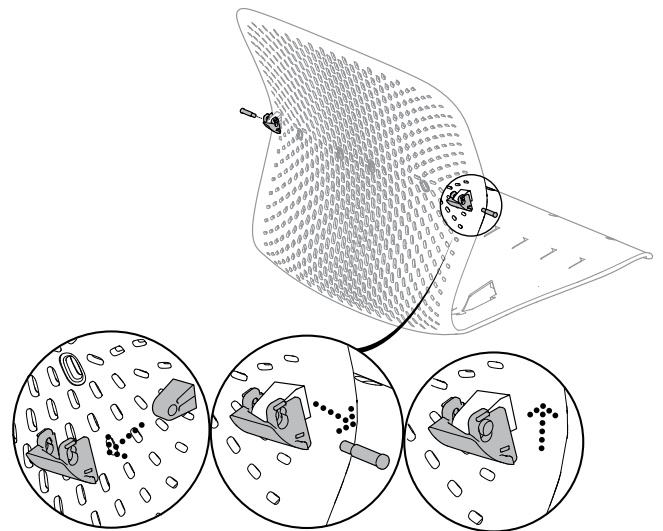
Step 5

5.1 Remove the seat moulding from the chair frame.



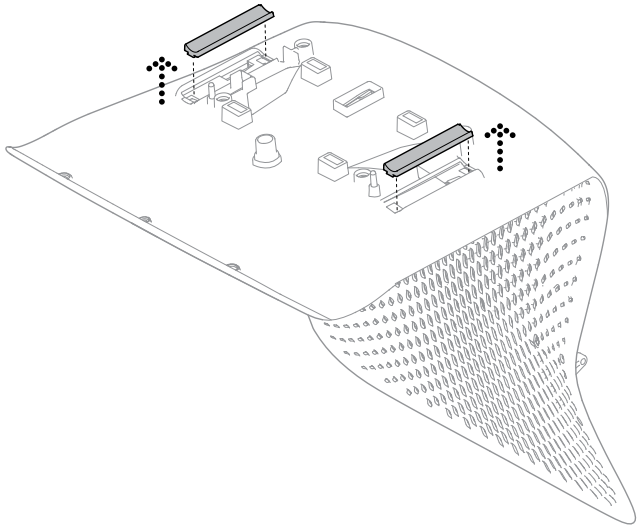
Step 6

6.1 Remove the cradle retainers and pivot from the seat moulding.



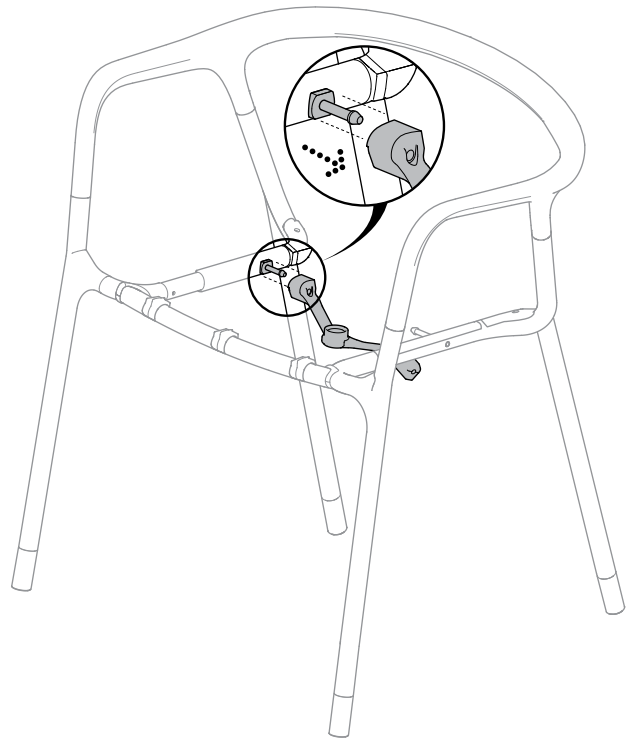
Step 7

7.1 Remove the seat bearing from bottom of the seat moulding.



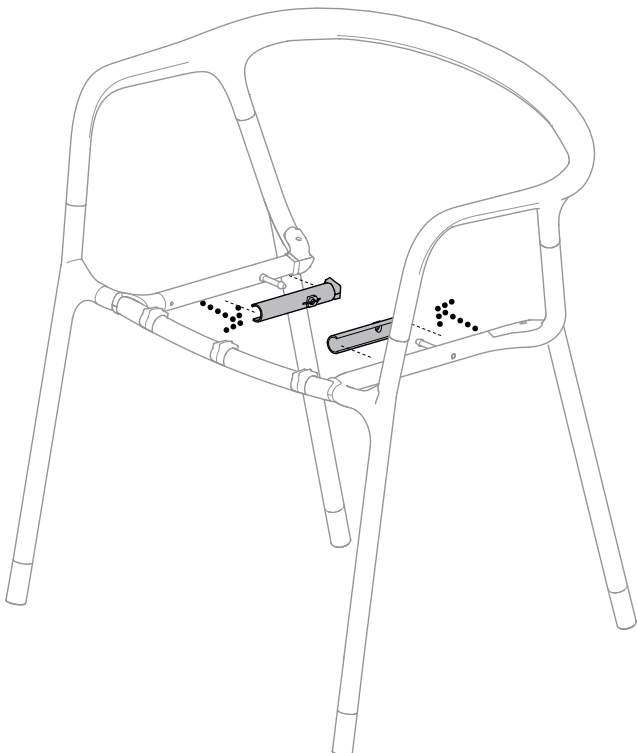
Step 8

8.1 Remove the spring from the centre rail slider pin.



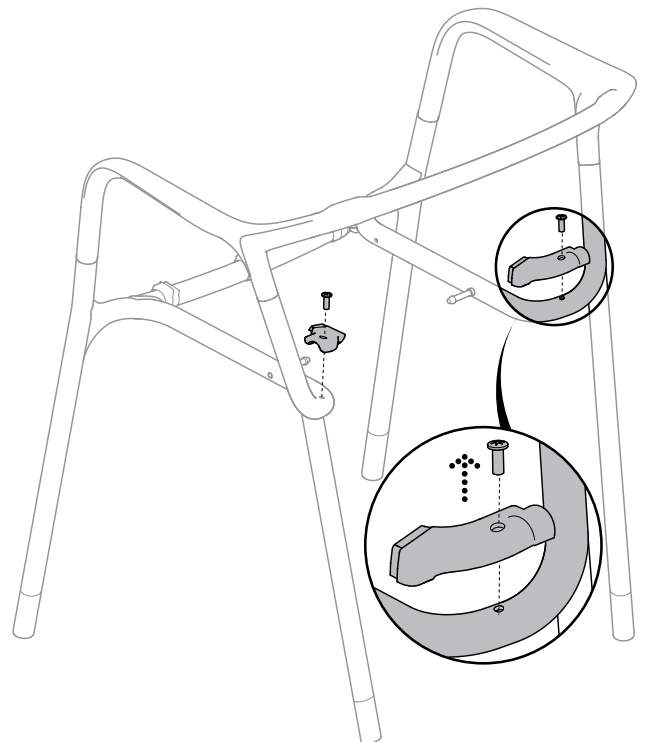
Step 9

9.1 Remove the seat slider bearing from the centre rail slider pin.



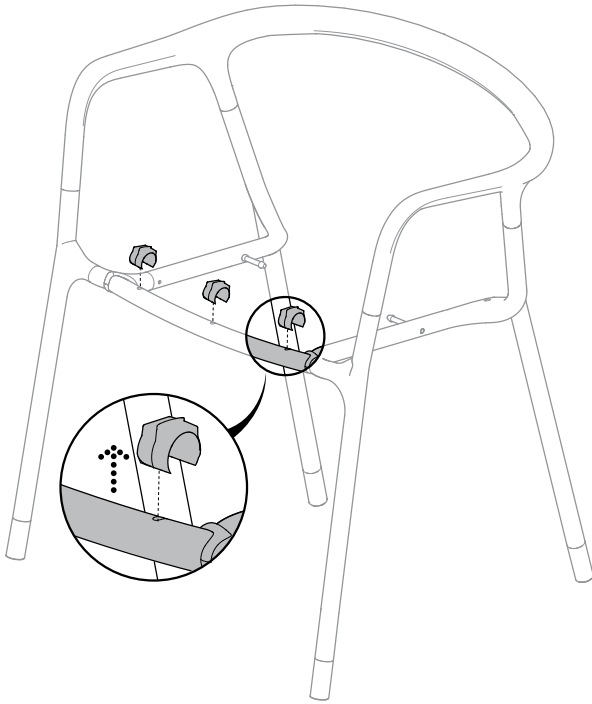
Step 10

10.1 Remove the seat slider by using 1/4 hex T15 torx bit.



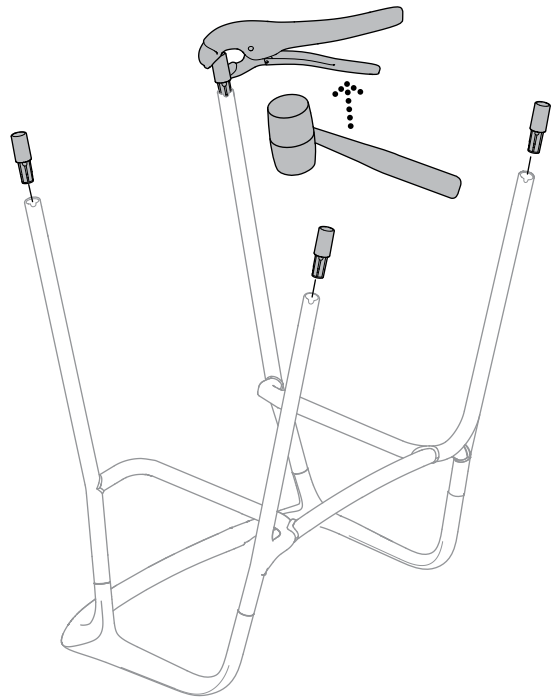
Step 11

11.1 Remove the frame slides from the chair frame.



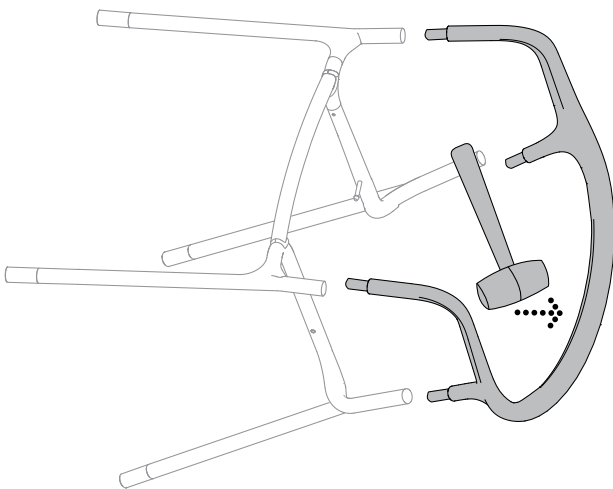
Step 12

12.1 Take out the glides by using vice grip and rubber mallet.



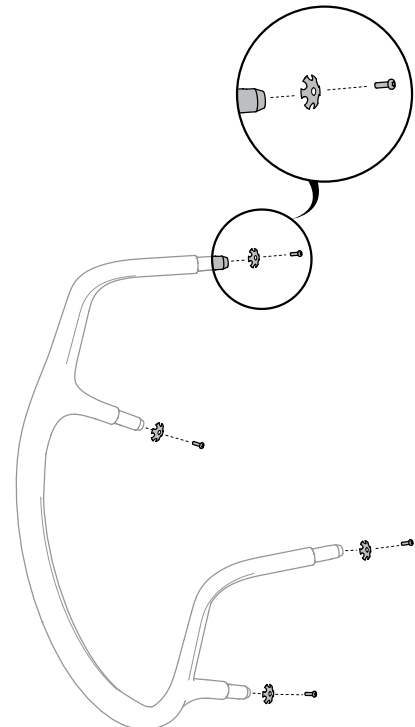
Step 13

13.1 Strike with mallet to separate cradle and frame.



Step 14

14.1 Remove the starlock and screw using 1/4 hex T15 torx bit.



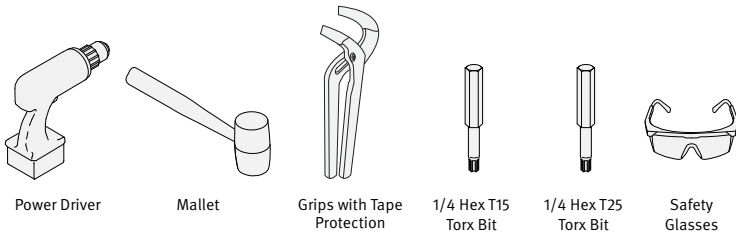
HermanMiller

Keyn Cantilever Chair Disassembly for Recycling Instructions



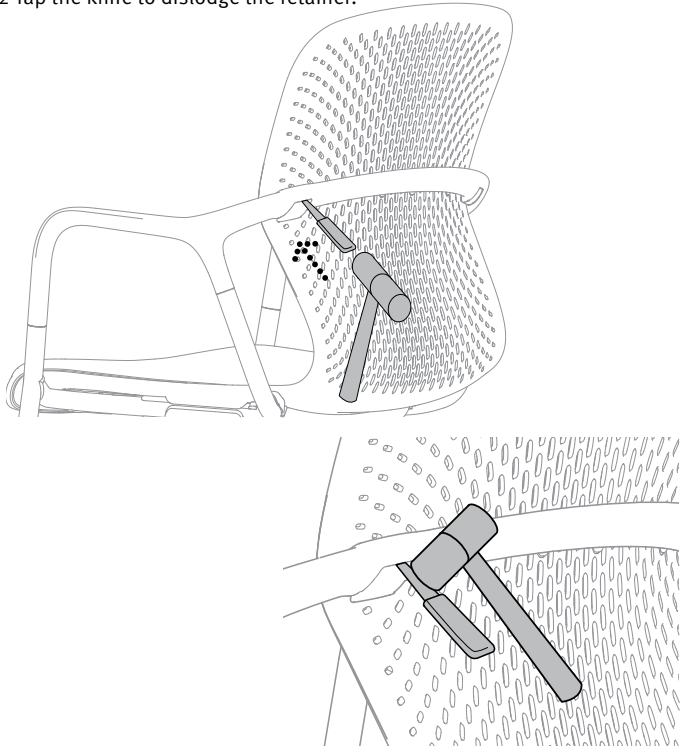
How to recycle your chair.

Tools Required



Step 1

- 1.1 Insert the knife between cradle and retainer using mallet.
- 1.2 Tap the knife to dislodge the retainer.

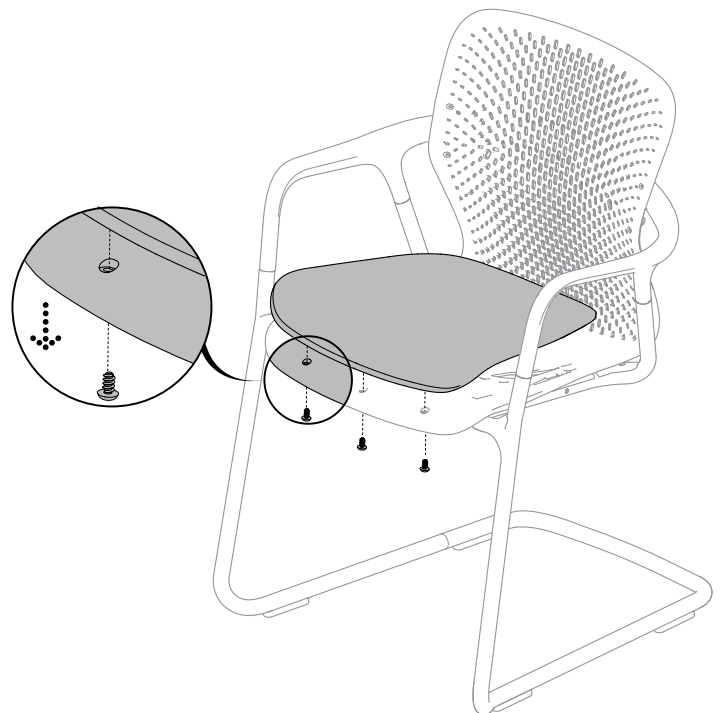


Materials Identification and Segregation:

Where possible, plastic components are marked with ASTM recycling codes. Use these codes to identify material type for recycling. Non marked components should be treated as mixed plastic. Ferrous metals can be identified using a small magnet for recycling. Non-ferrous metals should be separated and recycled separately.

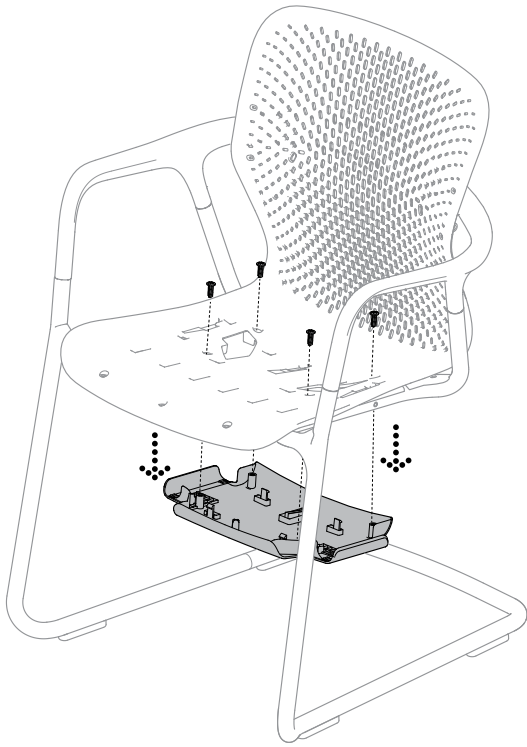
Step 2

- 2.1 Remove the seat cushion using 3/8 hex T20 torx bit.



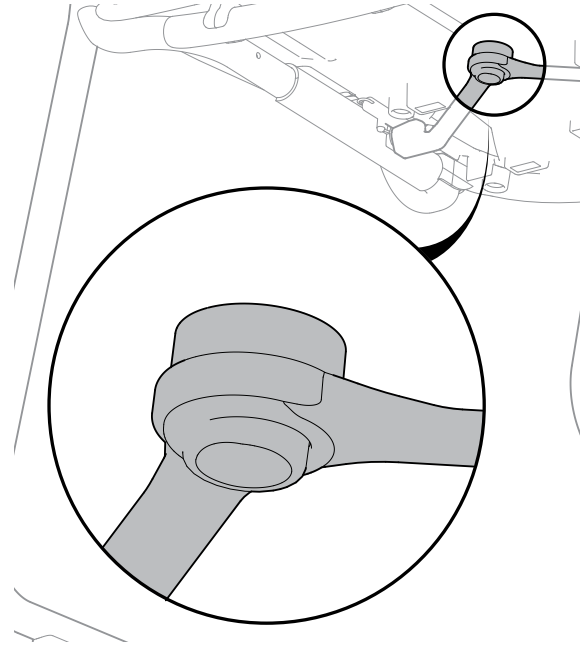
Step 3

3.1 Take out the seat sliding cover using 1/4 hex T25 torx bit.



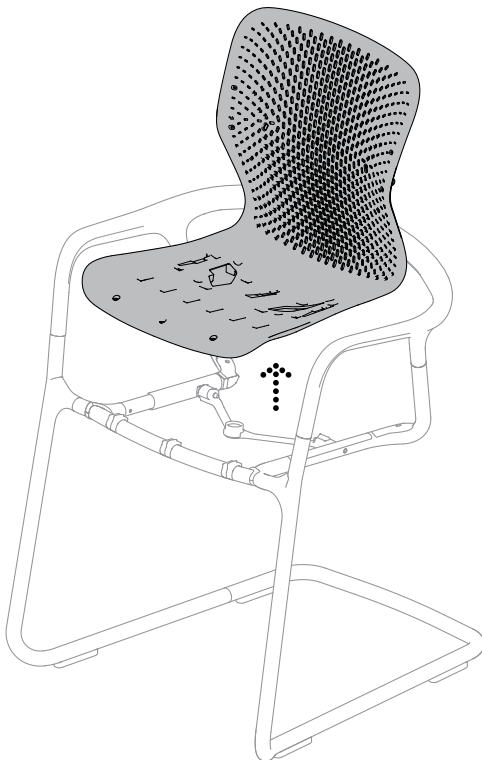
Step 4

4.1 Detach the spring from the seat moulding.



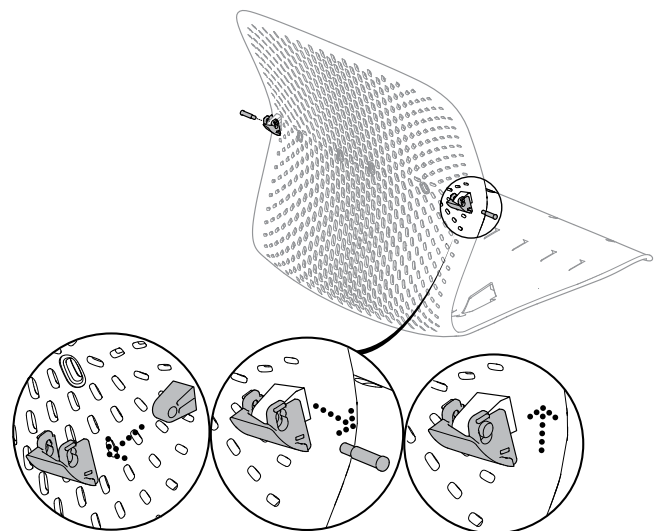
Step 5

5.1 Remove the seat moulding from the chair frame.



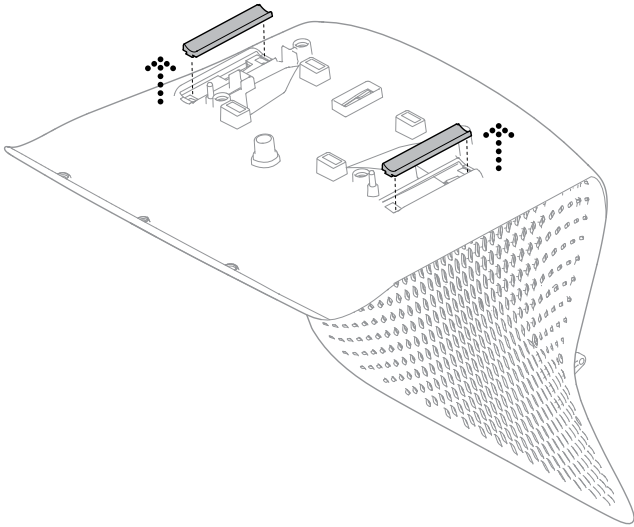
Step 6

6.1 Remove the cradle retainers and pivot from the seat moulding.



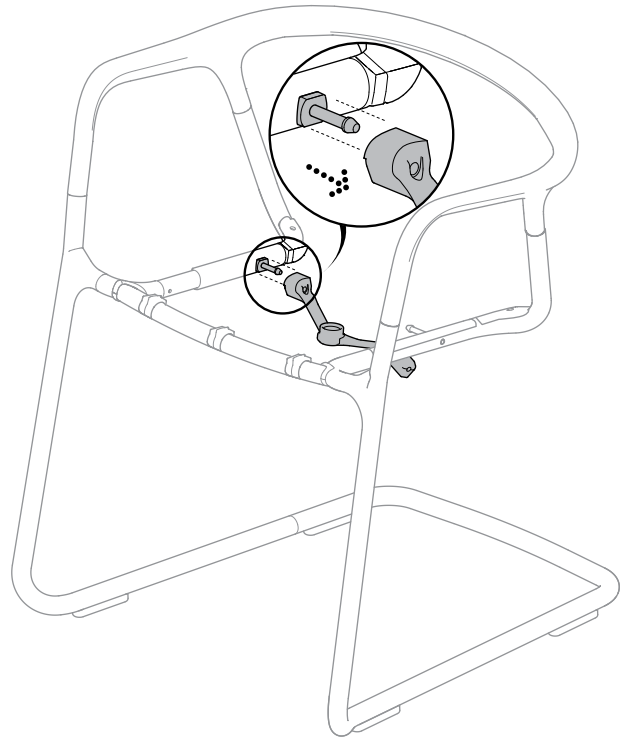
Step 7

7.1 Remove the seat bearing from bottom of the seat moulding.



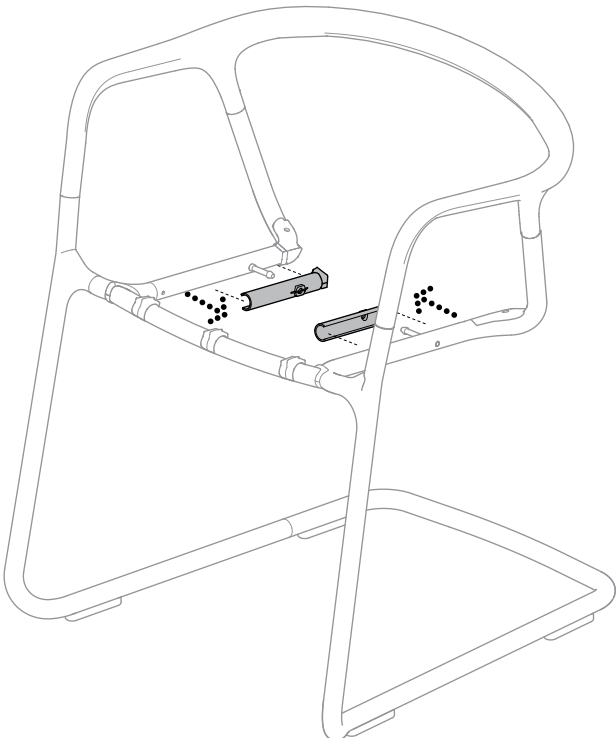
Step 8

8.1 Remove the spring from the centre rail slider pin.



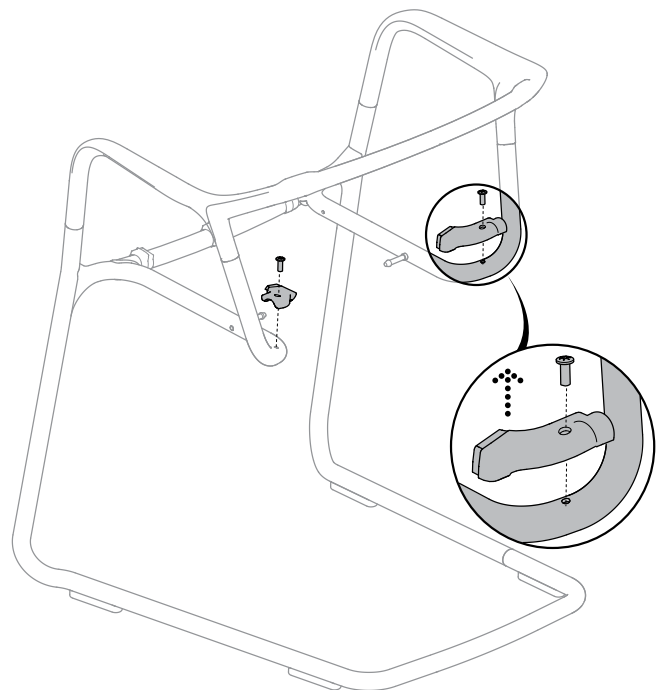
Step 9

9.1 Remove the seat slider bearing from the centre rail slider pin.



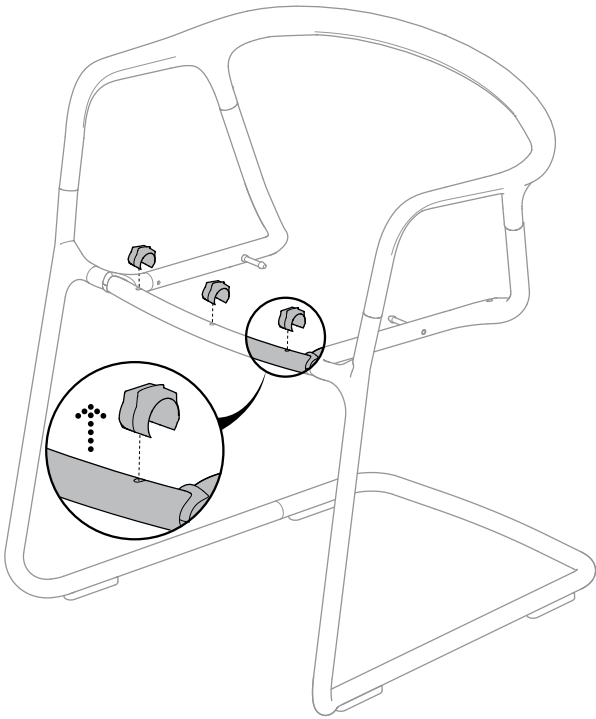
Step 10

10.1 Remove the seat slider by using 1/4 hex T15 torx bit.



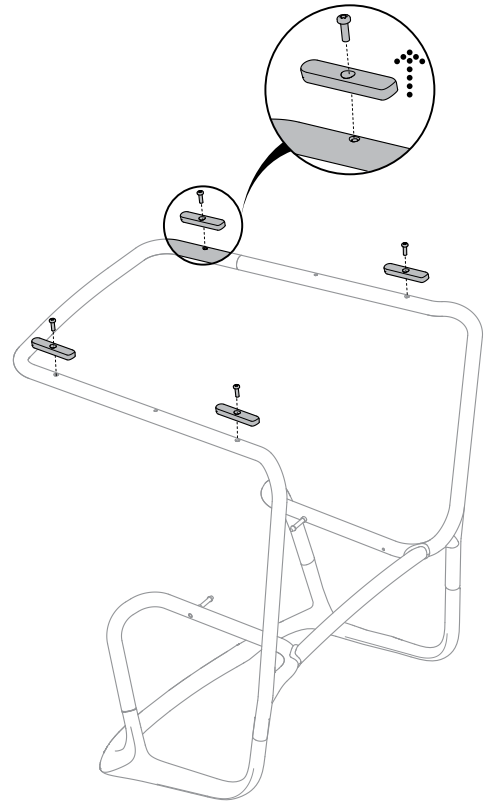
Step 11

11.1 Remove the frame slides from the chair frame.



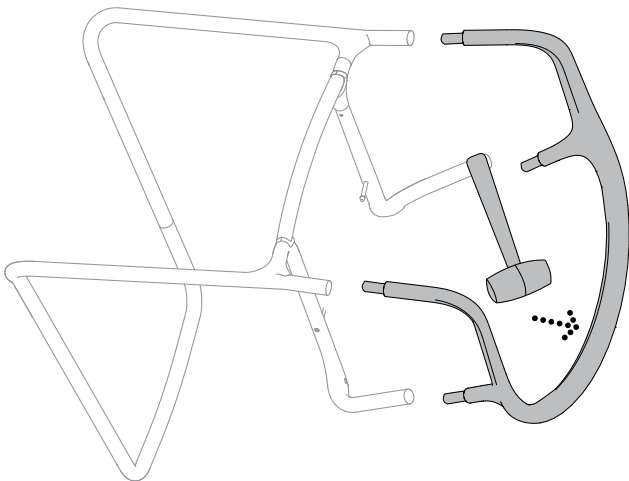
Step 12

12.1 Remove the cantilever glides from bottom of the legs by using 1/4 hex T25 torx bit.



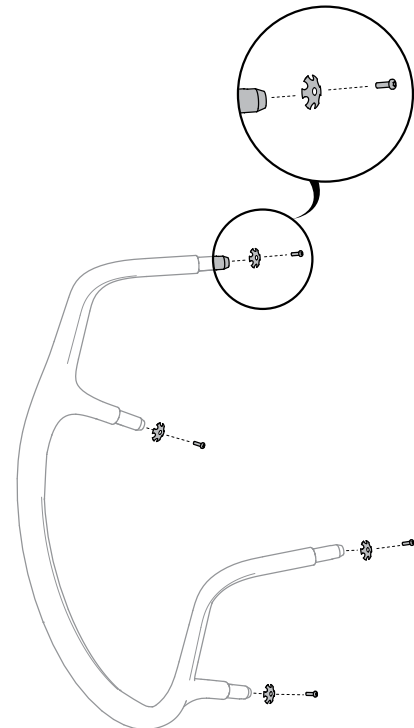
Step 13

13.1 Strike with mallet to separate cradle and frame.



Step 14

14.1 Remove the starlock and screw using 1/4 hex T15 torx bit.



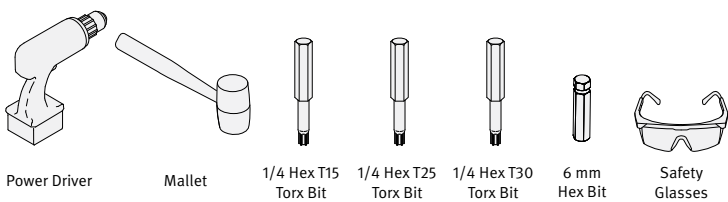
HermanMiller

Keyn Pedestal Chair Disassembly for Recycling Instructions



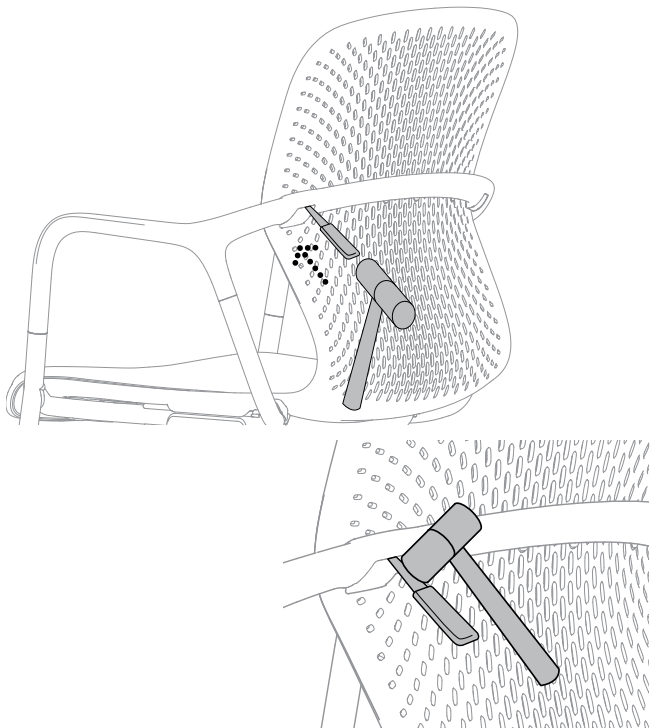
How to recycle your chair.

Tools Required



Step 1

- 1.1 Insert the knife between cradle and retainer using mallet.
- 1.2 Tap the knife to dislodge the retainer.

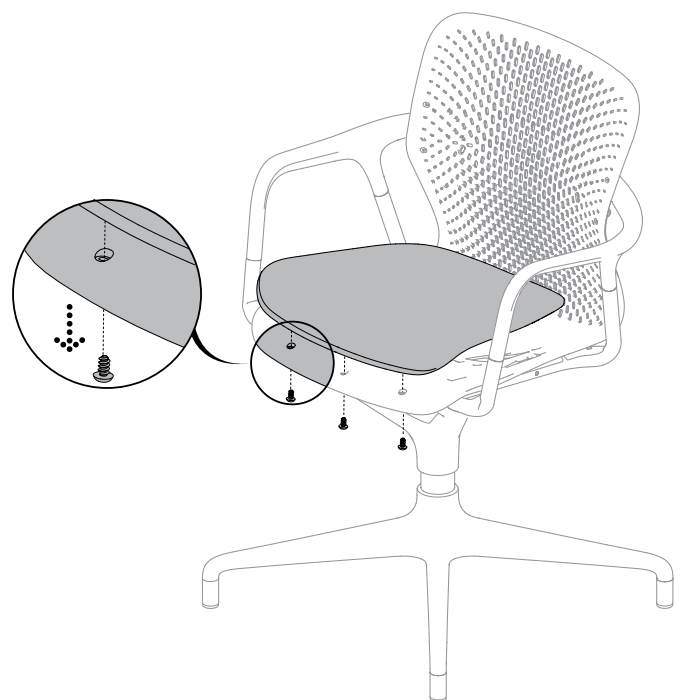


Materials Identification and Segregation:

Where possible, plastic components are marked with ASTM recycling codes. Use these codes to identify material type for recycling. Non marked components should be treated as mixed plastic. Ferrous metals can be identified using a small magnet for recycling. Non-ferrous metals should be separated and recycled separately.

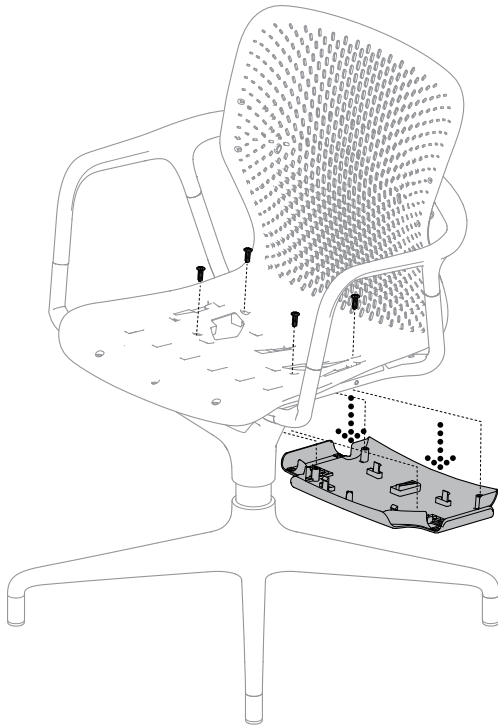
Step 2

- 2.1 Remove the seat cushion using 3/8 hex T20 torx bit.



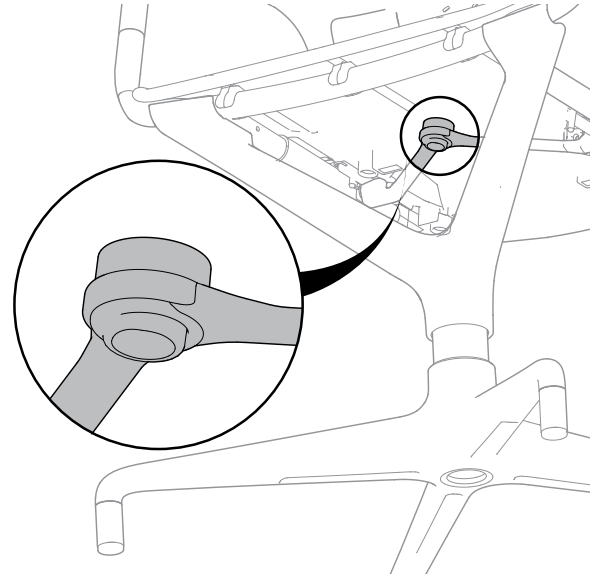
Step 3

3.1 Take out the seat sliding cover using 1/4 hex T25 torx bit.



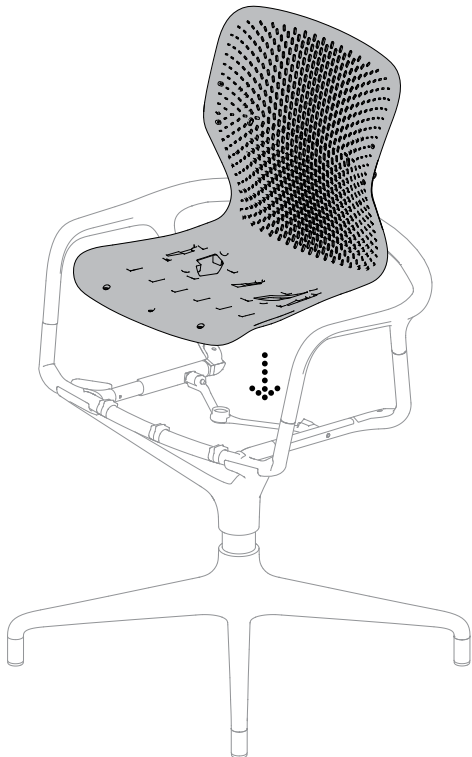
Step 4

4.1 Detach the spring from the seat moulding.



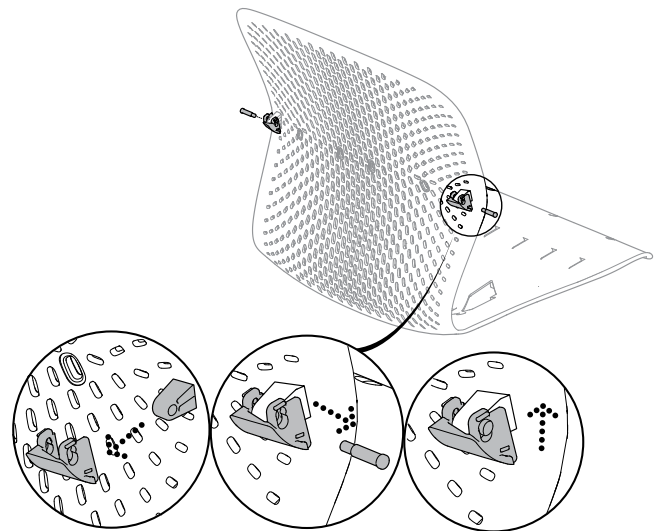
Step 5

5.1 Remove the seat moulding from the chair frame.



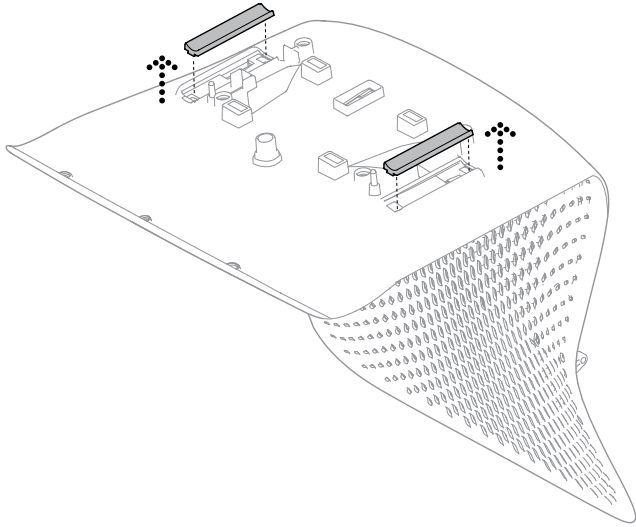
Step 6

6.1 Remove the cradle retainers and pivot from the seat moulding.



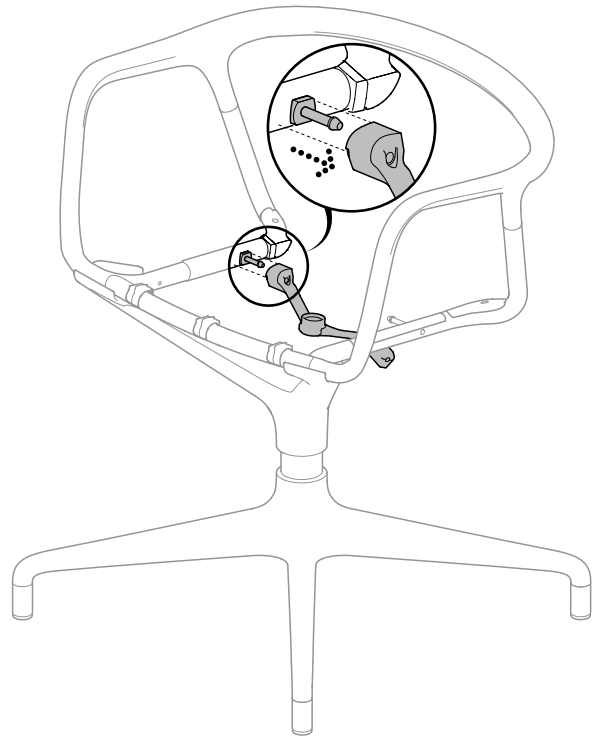
Step 7

7.1 Remove the seat bearing from bottom of the seat moulding.



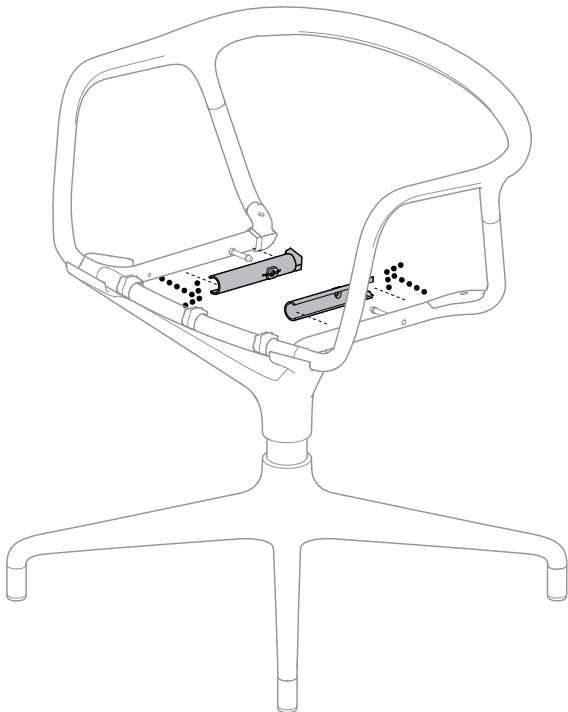
Step 8

8.1 Remove the spring from the centre rail slider pin.



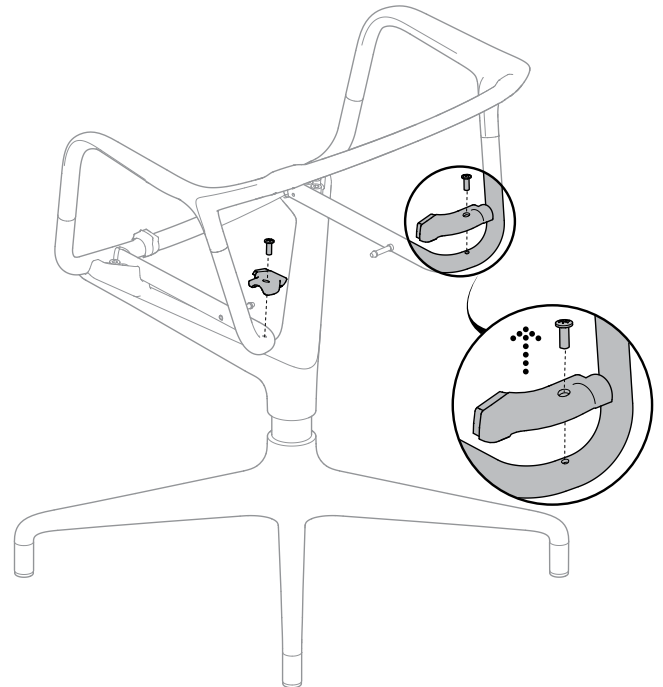
Step 9

9.1 Remove the seat slider bearing from the centre rail slider pin.



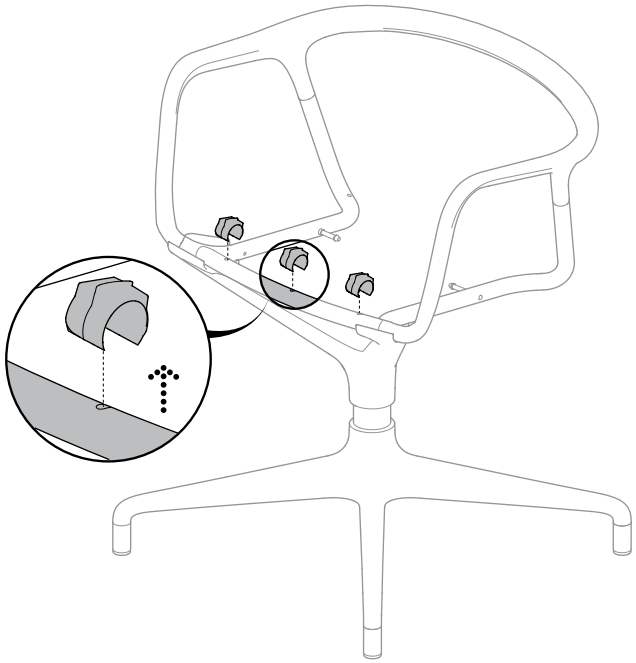
Step 10

10.1 Remove the seat slider by using 1/4 hex T15 torx bit.



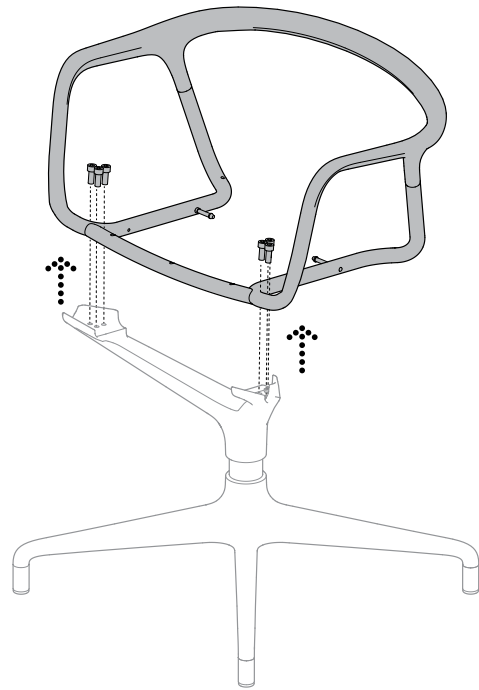
Step 11

11.1 Remove the frame slides from the chair frame.



Step 12

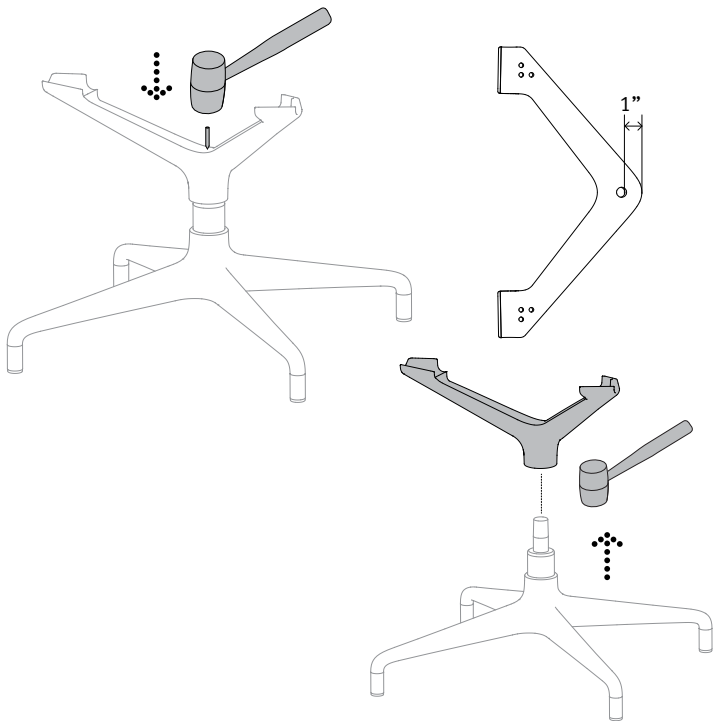
12.1 Remove the armed cradle from yoke by using 6 mm hex bit.



Step 13

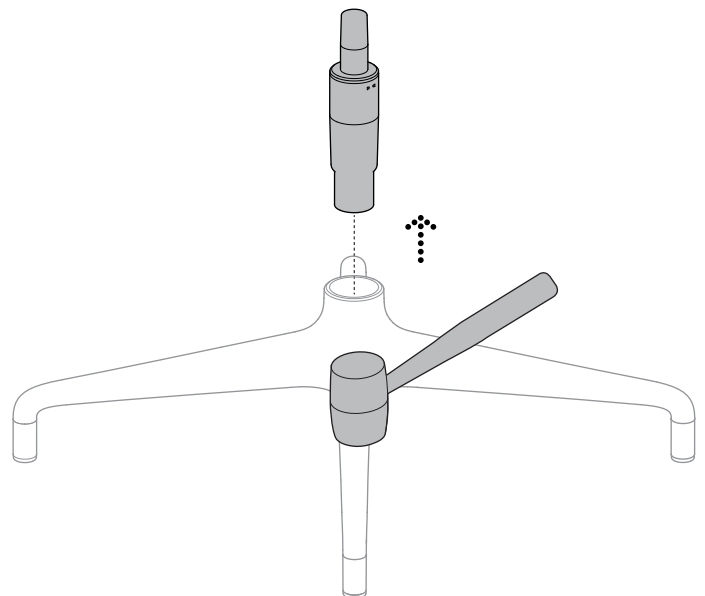
13.1 Place the punch into the center hole of yoke and hitting it by using mallet.

13.2 Remove the yoke from the center mechanism.



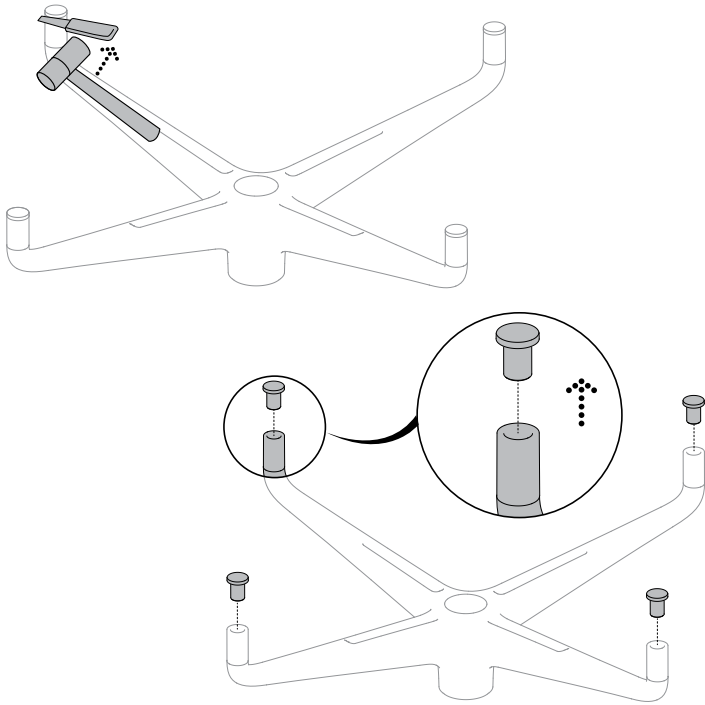
Step 14

14.1 Take out the center mechanism .



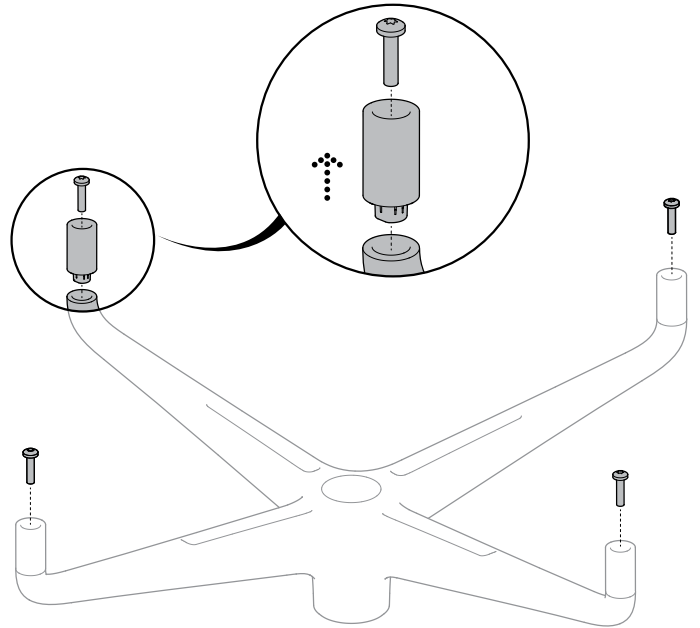
Step 15

- 15.1 Insert the knife between glide pad and base using mallet.
- 15.2 Tap the knife to dislodge the glide pad. Take out the glide pad.



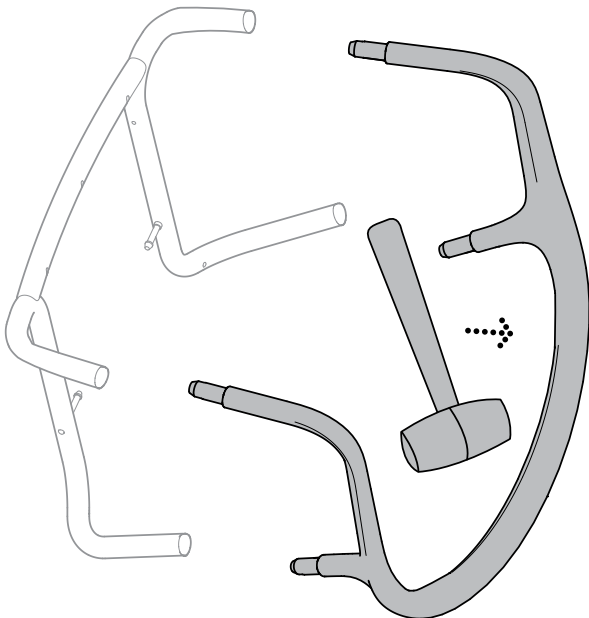
Step 16

- 16.1 Remove the pedestal glide by using 1/4 hex T30 torx bit.



Step 17

- 17.1 Strike with mallet to separate cradle and frame.



Step 18

- 18.1 Remove the starlock and screw using 1/4 hex T15 torx bit.

