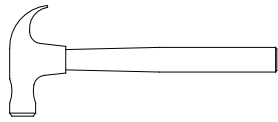
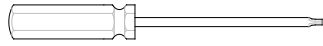




Tools Required:



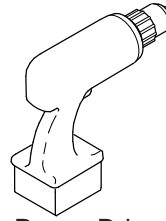
2 lbs Hammer



T-20 Torx Driver



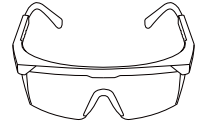
T-27 Torx Bit
(2.75" or longer)



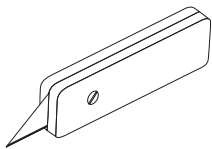
Power Driver



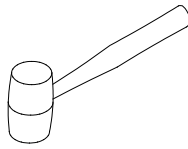
Small Flathead
Screwdriver



Safety Glasses



Utility Knife

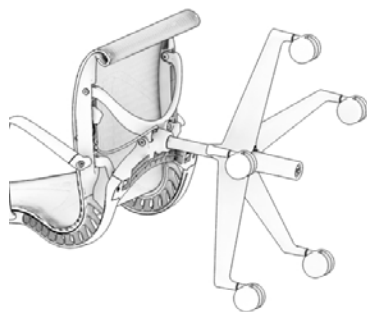


Rubber Mallet

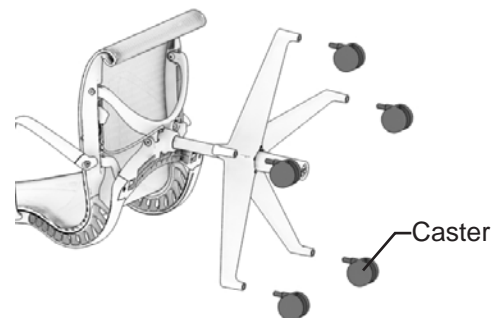
Materials Identification and Segregation:

Where possible, plastic components are marked with ASTM recycling codes. Use these codes to identify material type for recycling. Non marked components should be treated as mixed plastic. Ferrous metals can be identified using a small magnet for recycling. Non-ferrous metals should be separated and recycled separately.

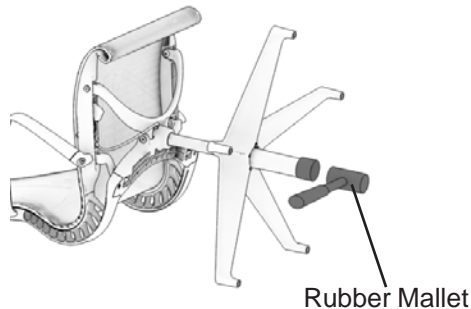
Disassembly Steps:



1.1 Lay chair on back.

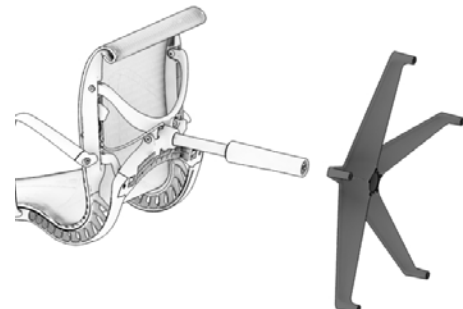


2.1 Grasp and pull to remove
Casters from the Base.

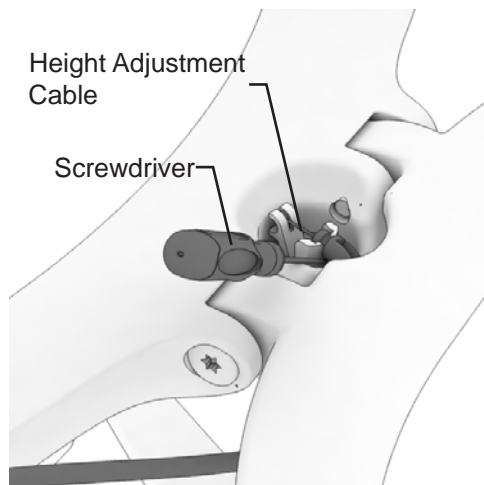


3.1 Hold Base legs firmly and strike the bottom of cylinder with rubber mallet until Base comes loose.

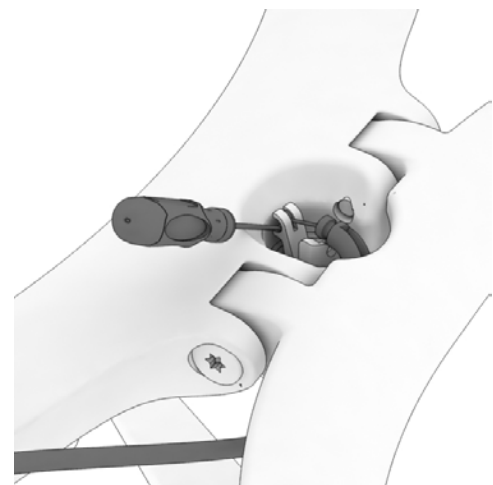
Caution: Do not strike cylinder directly with metal hammer, use rubber mallet only!



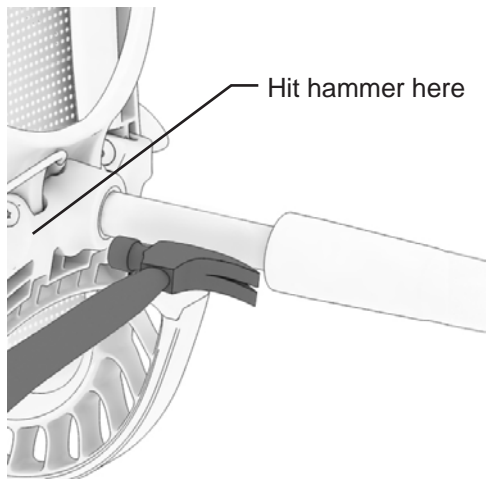
4.1 Remove Base.



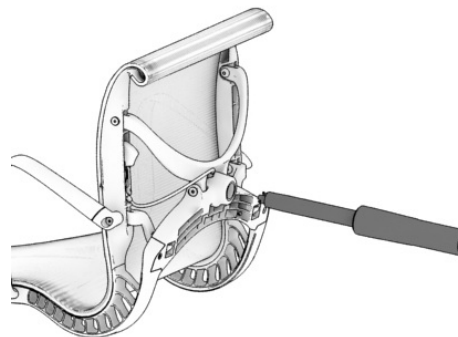
5.1 Use small Flathead Screwdriver to disengage black plastic connector of Height Adjustment Cable from top of Cylinder.



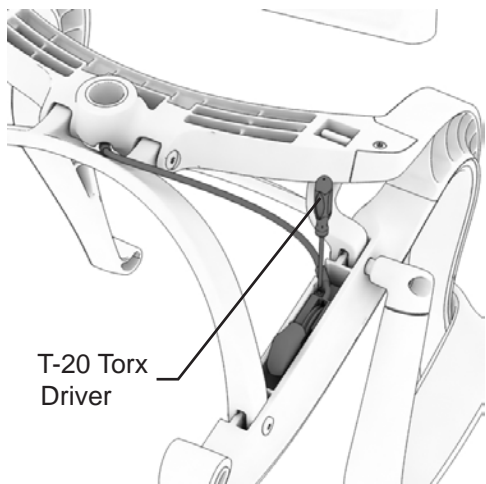
6.1 Use small Flathead Screwdriver to disengage ball of Height Adjustment Cable from top of Cylinder.



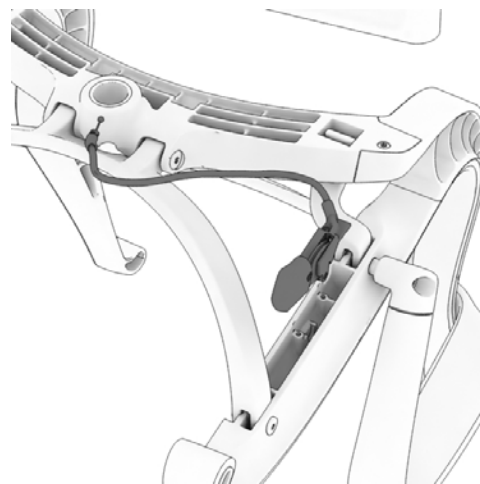
7.1 Place one hand on can of Cylinder and hit the bottom of the chair with hammer until Cylinder separates from chair.



8.1 Remove Cylinder.



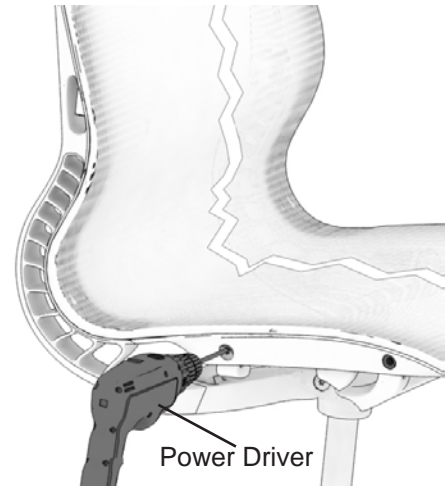
9.1 Use a T-20 Torx Driver to remove screws.



10.1 Remove Height Adjustment Assembly.



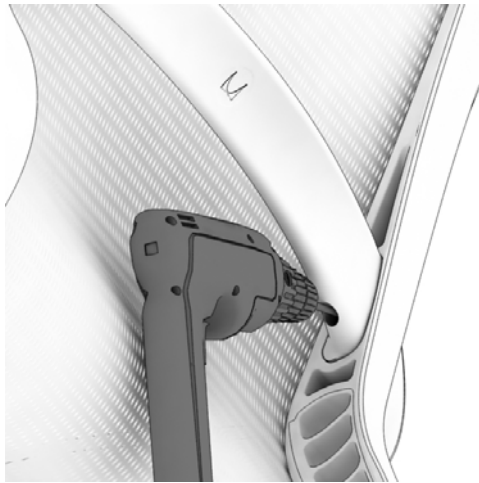
11.1 Using a Utility Knife cut Seat Fabric in half.



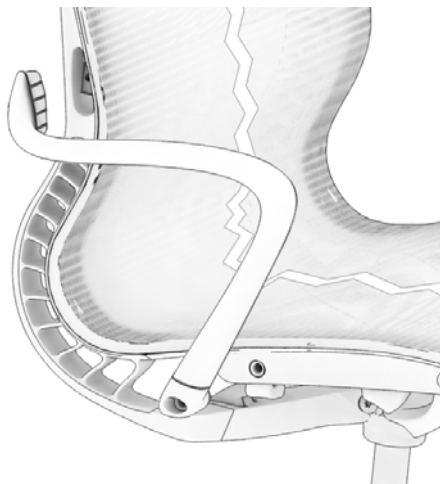
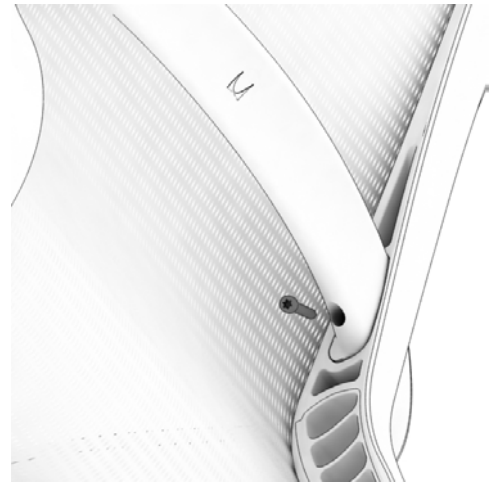
12.1 Using a Power Driver with a T-27 bit, remove Shoulder Bolts.



12.2 Remove Shoulder Bolts.



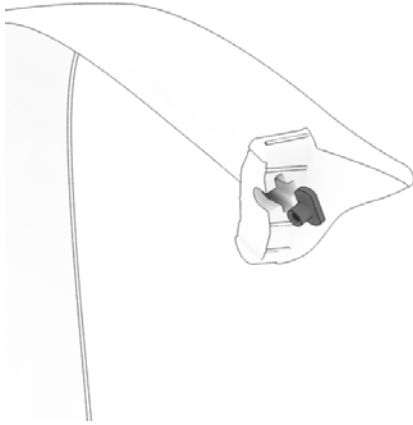
13.1 Using a Power Driver with a T-27 bit, remove Bolts.



14.1 Remove Arms.



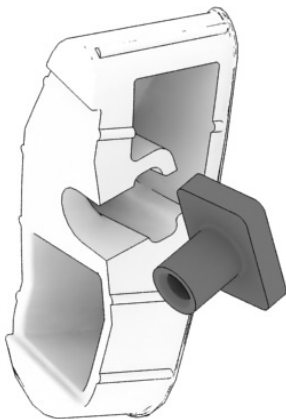
15.1 Remove Inner Bushing.



16.1 Remove T-Nut from Arm.



17.1 Remove No Arm Plug from opening in Beam.



18.1 Remove T-Nut from No Arm Plug.

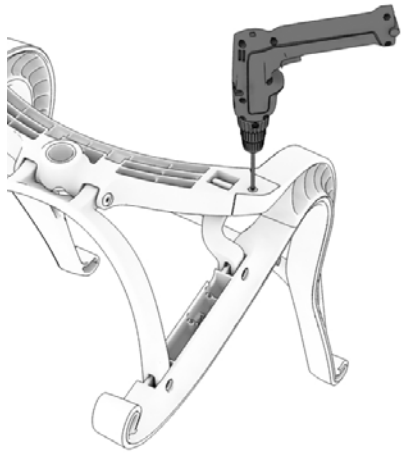


19.1 Using a Power Driver with a T-27 bit, remove Shoulder Bolts.

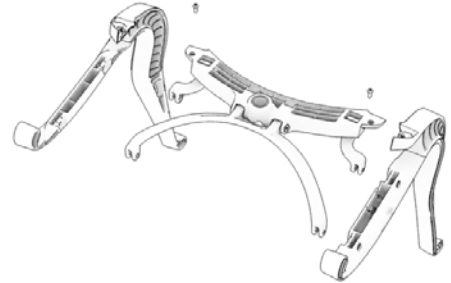


20.1 Remove Inner Bushings.

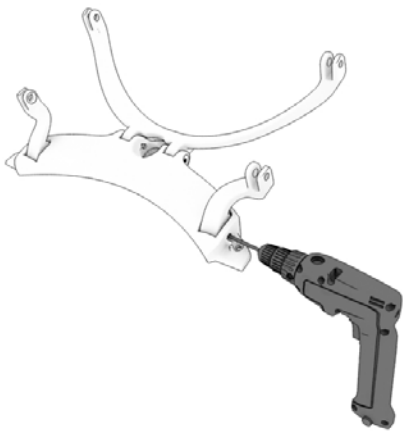




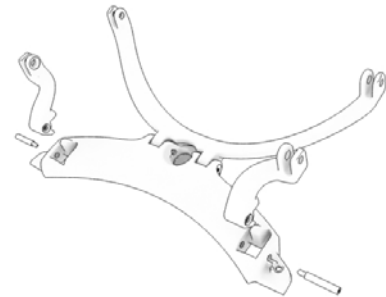
21.1 Using a Powerdrill with a T-27 bit, remove Screws.



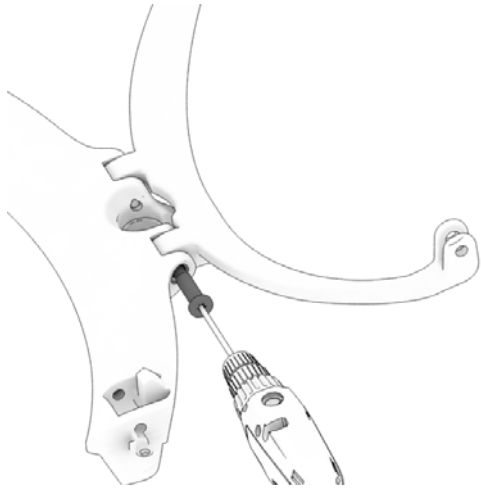
22.1 Remove Tilt Assembly from Seat Assembly.



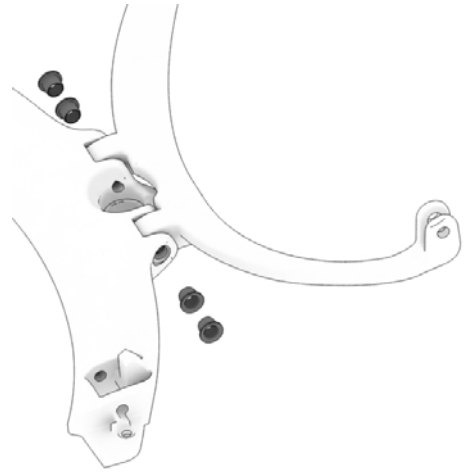
23.1 Using a Powerdrill with a T-27 bit, remove Shoulder Bolts.



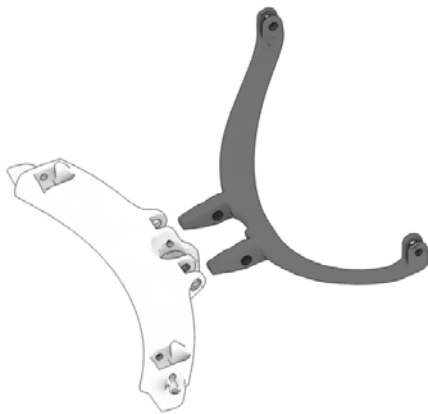
24.1 Remove Rear Links.



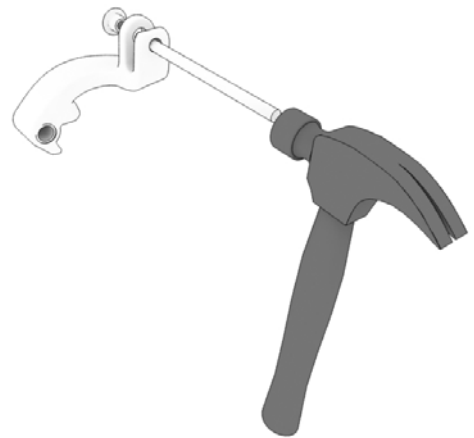
25.1 Remove Shoulder Bolts using Power Driver.



26.1 Remove 4 Inner Bushings.



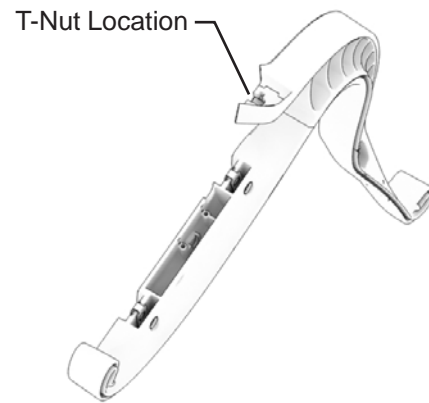
27.1 Remove Front link.



28.1 Using a small shaft or screwdriver. Remove pressed T-Nut from both Links.



29.1 Pull Fabric out of groove in Seat frames to remove. Remove metal clips from fabric.



30.1 Remove T-Nuts from Seat frame.