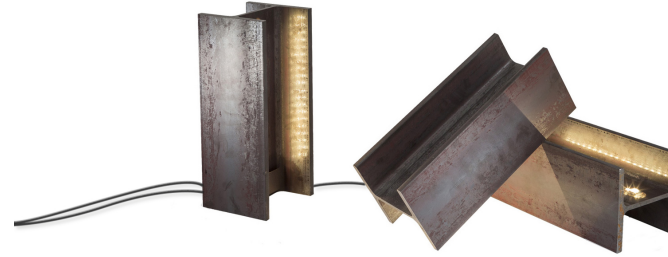


MAIS PLUS QUE CELA JE NE PEUX PAS

Rudy Ricciotti

An object, a lamp, a symbol for what has become a Manifesto of Rudy Ricciotti work and philosophy: the light of Mais Plus Que Cela Je Ne Peux Pas is inspired by the footbridge of the Museum of European and Mediterranean Civilizations in Marseille, also conceived by Rudy Ricciotti and which has become one of the visual identifications of the French city.



FLOOR

LAMPING

Source	linear LED
Total power	10W
Emission	direct/indirect
Switching	dimmable on cable
Tension	230V
Color temperature	2700K
Luminous flux	550lm
Typ CRI	85
IP class	20
Materials	steel
Notes	cable length 2,7m, also available in 120V
Net lamp weight	12 kg

Codes

RIC LMM 21

Structure

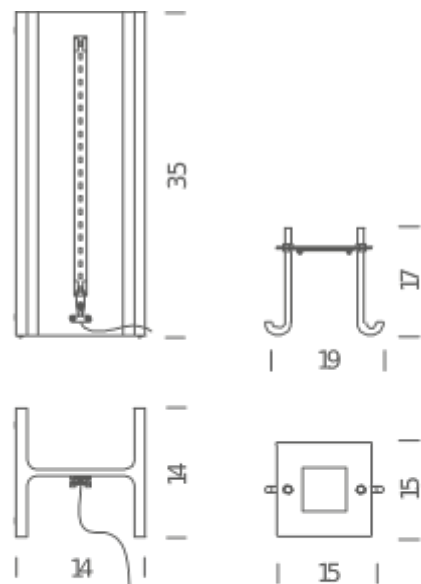
raw metal

PACKAGE

Package 01

Dimension: 20x20x41 cm / Gross weight: 13,5 kg

Certificazioni



FLOOR OUTDOOR

LAMPING

Source	linear LED
Total power	10W
Emission	direct/indirect
Switching	dimnable TRIAC
Tension	230V
Color temperature	2700K
Luminous flux	550lm
Typ CRI	85
IP class	44
Materials	steel
Notes	Cable length 3m, body and cable IP65 rated also, available in 120V, marine version available on request
Accessories	Fixing plate,
Net lamp weight	12 kg

Codes

RIC LME 21

Structure

raw metal

PACKAGE

Package 01

Dimension: 20x20x41 cm / Gross weight: 13,5 kg

Certificazioni

