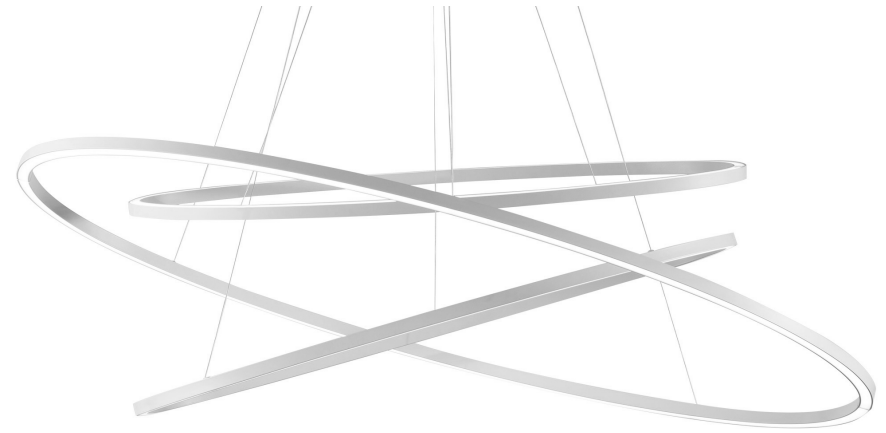


ELLISSE PENDANT TRIPLE

Federico Palazzari

Realised in various versions through an innovative technology developed by Nemo for coupling extrusions, Ellisse guarantees diffused direct and indirect lighting with the LED housed within the structure while remaining unobtrusive. The design is linear and contemporary, while an elegant black marble base becomes a pedestal for the floor version.



2700K

LAMPING

Source	linear LED
Total power	94W
Emission	diffused uplight (minor), diffused downlight (major/minor)
Switching	dimnable 1-10V
Tension	110-240V
Color temperature	2700K
Luminous flux	1325+2050+1325lm
Typ CRI	85
IP class	20
Materials	Aluminium
Notes	adjustable cable length from 2,5 to 0,4 m, DALI version on request, TRIAC VERSION on request
Net lamp weight	5 kg

Codes

ELP LW2 57
ELP LN2 57
ELP LL2 57
ELP LO2 57
ELP LGW 57

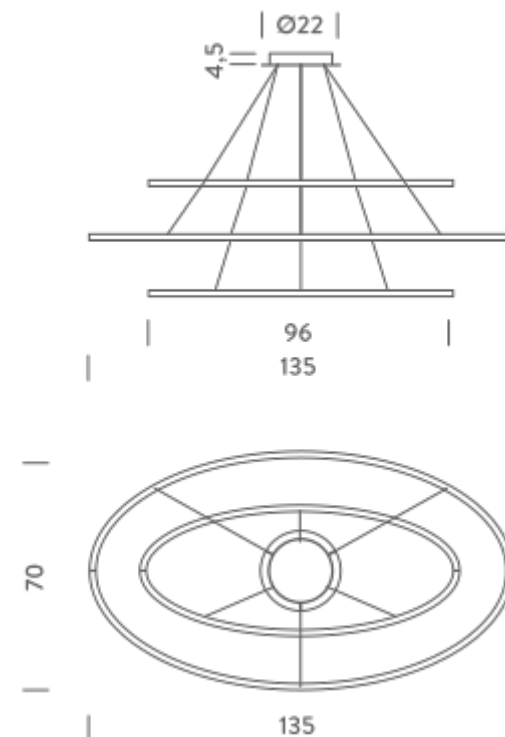
Structure

white
black
polished aluminium
gold painted
gold polished anodized

PACKAGE

Package 01 Dimension: 80x150x15 cm / Gross weight: 7,5 kg

Certificazioni



3000K

LAMPING

Source	linear LED
Total power	94W
Emission	diffused uplight (minor), diffused downlight (major/minor)
Switching	dimnable 1-10V
Tension	110-240V
Color temperature	3000K
Luminous flux	1325+2050+1325lm
Typ CRI	85
IP class	20
Materials	Aluminium
Notes	adjustable cable length from 2,5 to 0,4 m, DALI version on request
Net lamp weight	5 kg

Codes

ELP LWW 57
ELP LNW 57
ELP LLW 57
ELP LOW 57

Structure

white
black
polished aluminium
gold painted

PACKAGE

Package 01 Dimension: 15x80x150 cm / Gross weight: 7,5 kg

Certificazioni

